

# Tree Rings



## ROCKFACED TREE RINGS

180mm deep x 50mm thick  
75mm to be buried in earth  
610mm diam (4 pieces)  
915mm diam (10pieces)



## BULLNOSED TREE RINGS

305mm x 125mm high  
457mm x 125mm high  
610mm x 125mm high  
915mm x 180mm high

# Garden Edging



**BULLNOSED**  
915mm x 178mm



**PEBBLED**  
610mm x 215mm



**ROCK**  
Lengths of 610mm and 305mm



**FLORAL EDGING**  
255mm deep  
140mm exposed x  
140mm wide x 30mm  
thick.

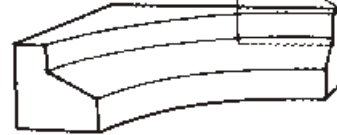
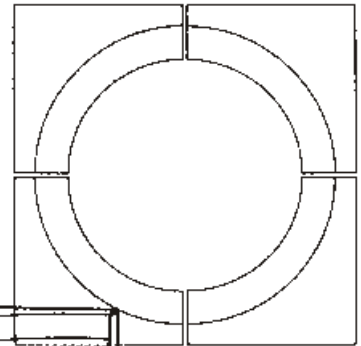
SUNDIAL PLATES	GREY / ANTIQUE	
	Excl.	Vat Incl.
GREENWICH Concrete	292.00	332.88
TEMPUS FUGIT Solid Brass	1,105.00	1,259.70
TEMPUS FUGIT Aluminium	873.00	995.22
POSTAGE and PACKING	90.00	102.60

TREE RINGS and GARDEN EDGINGS		GREY	
		Excl.	Vat Incl.
PWV delivery 10%			
<b>TREE RINGS</b>			
<b>BULLNOSED</b>			
305mm diameter	Full or in halves	91.00	103.74
457mm diameter	Full or in halves	111.00	126.54
610mm diameter	Full or in halves	135.00	153.90
915mm diameter	Full or in halves	250.00	285.00
<b>HEAVY DUTY</b>			
1,0/1,2m diam in halves		435.00	495.90
<b>QUADRANT SURROUND</b>	1,200m sq in quarters	1,027.00	1,170.78
<b>QUADRANT SURROUND</b>	920mm sq in quarters	685.00	780.90
<b>ROCKFACED</b>			
610mm diameter	4 pieces	263.00	299.82
915mm diameter	10 pieces	319.00	363.66
<b>GARDEN EDGINGS</b>			
<b>BULLNOSED, smooth</b>	915mm Straight	101.00	115.14
<b>FLORAL</b>	140mm wide	20.00	22.80
<b>PEBBLED</b>	610mm	128.00	145.92
<b>ROCKFACED</b>	610mm	128.00	145.92
	305mm	72.00	82.08
Corners for each of above		48.00	54.72

## QUADRANT TREE SURROUND

To fit PAVEMENT LARGE  
Each quadrant 595 x 595 x 190mm high  
Total 1200mm square / 800mm diam hole

To fit PAVEMENT SLAB  
Each quadrant 455 x 455 x 140mm high  
Total 920mm square / 610mm diam hole



# Sundial Plates

## How to set your Sundial Plate

Mount the plate level.  
Turn the Sundial so that the toe of the Gnomon points directly North. The high point of the Gnomon will be to the South.  
The Sundial Plate is not intended for accurate time reading. As the seasons wax and wane, so will the accuracy.



**TEMPUS FUGIT**  
250mm Octagonal  
Solid Brass or  
Aluminium with  
metallic finish.

**GREENWICH**  
245mm square

