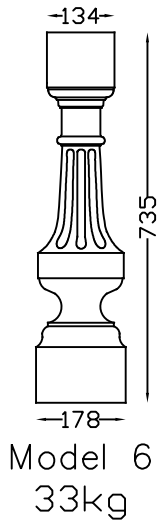


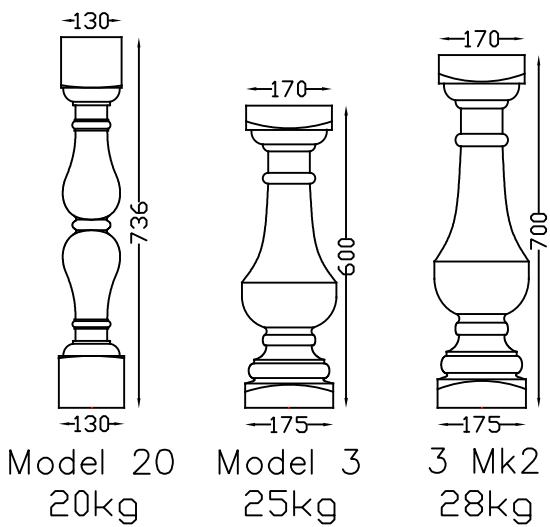
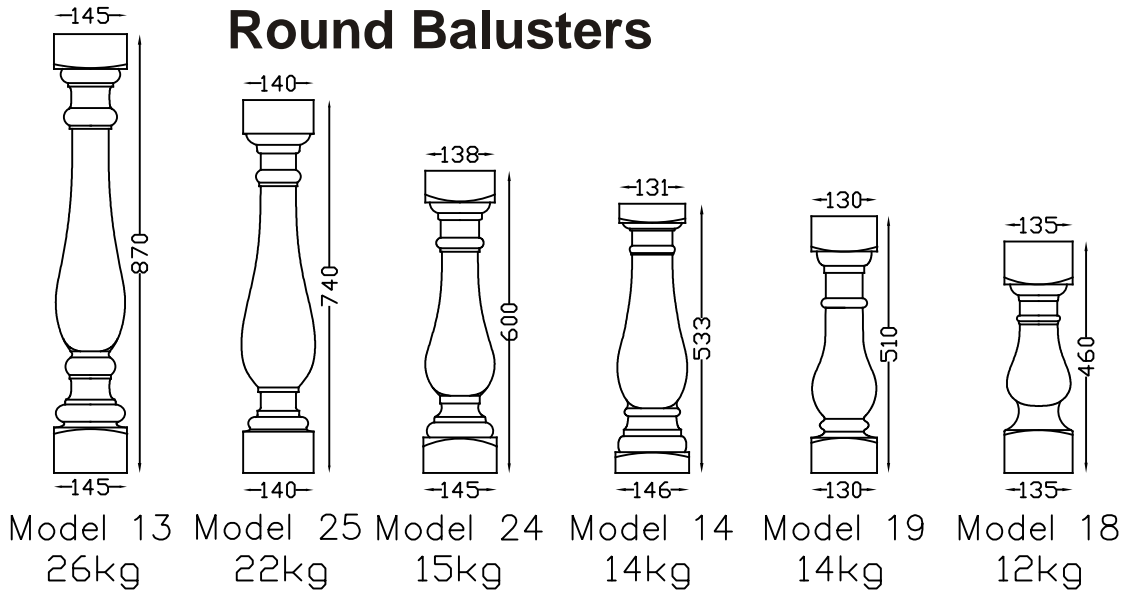
Balusters



Square Balusters



Round Balusters



BALUSTRADING

- Balusters are manufactured from 25 Mpa reinforced concrete.
- Reinforcing extends from the bottom of the baluster by approx 100mm.
- Between 4 and 5 balusters are required per metre, depending on the height and thickness of the baluster and the overall visual symmetry of the end result. In all cases the relevant municipal requirements should be consulted with particular reference to safety.
- When a purpose made balustrade plinth is utilised, the position of each baluster is predetermined by holes cast into the plinth. Where no plinth is used the positions of the baluster holes must be set out and drilled manually.
- Balusters are fixed using a tile adhesive and riversand in equal parts. Sufficient adhesive should be utilised to fill the fixing hole and cover the area of the base of each baluster. Register each baluster to a line at the base, and a fishline strung at the top between the first and last balusters of a particular run. Plumb each baluster individually, using wood wedges where necessary.
- Allow to strengthen before installing the coping.
- Fix the coping using the same adhesive as for the balusters. Apply sufficient adhesive to cover the tops of all the balusters making contact, and the end face of the coping. Allow a joint of 5mm to 10mm. Use a fishline to ensure a neat result. Where applicable, set up two corners and then the fishline, working towards one end. One coping will require cutting and should be positioned one full length away from the end of a run. In some cases a very short cut length will be necessary. If this length is not fully supported by two balusters then it is to be discarded and two lengths must be cut, sharing out the short cut between them.
- When installing long straight runs, or in critical areas, alternate lengths of coping should be drilled and fixed with a single steel pin and epoxy, into the top of a baluster.

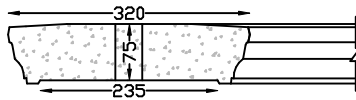
DISCLAIMER

The above information is intended as a guide to the correct installation of precast concrete balustrading, and Old World Concretes (Pty) Ltd can in no way hold itself responsible for any installation not undertaken by its own representatives.

BALUSTERS		GREY	
		Excl.	Vat 15%
MODEL 3		243.00	279.45
MODEL 3 Mk2		311.00	357.65
MODEL 6		274.00	315.10
MODEL 13		314.00	361.10
MODEL 14		220.00	253.00
MODEL 18		182.00	209.30
MODEL 19		214.00	246.10
MODEL 20		257.00	295.55
MODEL 24		236.00	271.40
MODEL 25		280.00	322.00
Certain balusters are available in half (priced as a whole)			



Balustrade Plinths



BALUSTRADE PLINTH MK2

880mm

Holes at 220mm centres

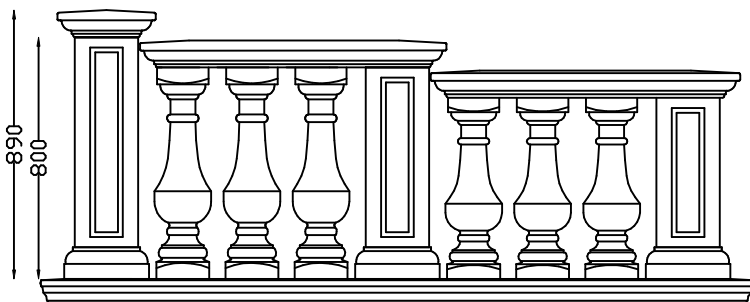
CURVES As per pricelist

CORNER & FAIR END.

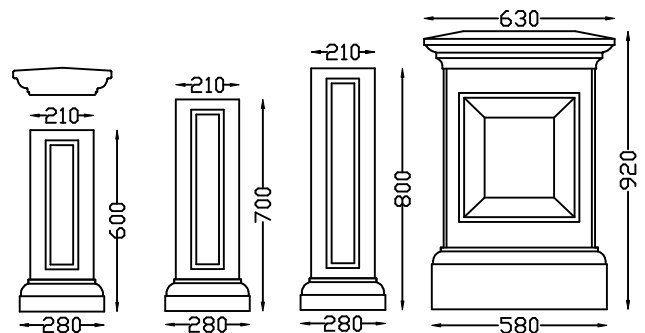
BALUSTRADE PLINTHS Profiles and curves custom made on request		EACH	
		Excl.	Vat 15%
Mk 2		564.00	648.60
CORNER		425.00	488.75
FAIR END		564.00	648.60

BALUSTRADE PIERS		EACH	
		Excl.	Vat 15%
BALUSTER PIER 600		604.00	694.60
BALUSTER PIER 700		708.00	814.20
BALUSTER PIER 800		814.00	936.10
BALUSTER PIER 600/700 CAP		251.00	288.65
PLETTENBERG PIER		2,732.00	3,141.80

Baluster Piers



Balustrade example using Baluster Piers 600, 700 and 800, Model 3 and Model 3mk2 Balusters, Plettenberg Coping, Balustrade Plinth MK2, and Baluster Pier Cap.



BALUSTER PIER 600 & 700 & 800

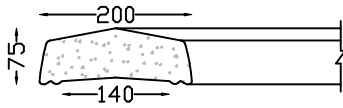
For 600 and 700mm high balusters

Optional Capping extra.

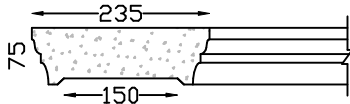
PLETTENBERG BALUSTER PIER 920mm high



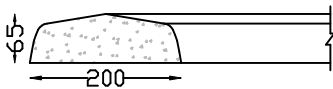
Copings for Balustrades



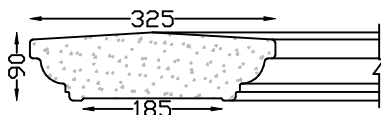
RESIDENCY 200 Throated
 Length 1,220m
 CURVES As per pricelist
 SWEEP-DOWN
 Drop 150mm x 610mm long
 FAIR END 1,220m o/l



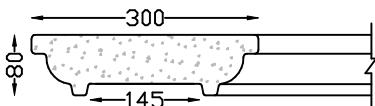
BUCKINGHAM Throated
 Length 1,200m
 CURVES As per pricelist
 FAIR END 1,200m o/l



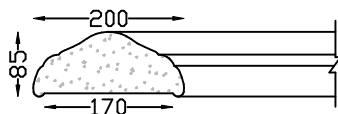
RESIDENCY 200 PLAIN
 Length 1,220m



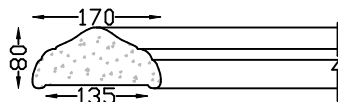
PLETTENBERG COPING
 Length 1,000m
 CURVES As per pricelist
 FAIR END 745mm o/l (700mm bed)



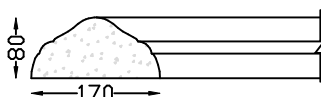
PINMILL
 Length 1,000m
 CORNER
 FAIR END 750mm o/l
 Various curves available.



DROSTDY MAJOR Throated
 Length 1,000m
 FAIR END
 CORNER



DROSTDY Throated
 Length 1,000m
 CURVES As per pricelist
 FAIR END 1,000m o/l



DROSTDY PLAIN
 Length 1,000m

COPINGS FOR BALUSTERS & SINGLE BRICK WALLS		EACH	
		Excl.	Vat 15%
		Ex factory	
Extra per cut		167.00	192.05
BUCKINGHAM	1,200m	452.00	519.80
BUCKINGHAM CORNER	365 x 365mm	259.00	297.85
BUCKINGHAM FAIR END	1,200m	581.00	668.15
DROSTDY Plain	1,000m	225.00	258.75
DROSTDY Throated	1,000m	300.00	345.00
DROSTDY Throated CORNER	335 x 335mm	259.00	297.85
DROSTDY Throated FAIR END	800mm	336.00	386.40
DROSTDY MAJOR Throated	1,000m	368.00	423.20
DROSTDY MAJOR Throated CORNER		259.00	297.85
DROSTDY MAJOR Throated FAIR END		385.00	442.75
PINMILL	1,000m	345.00	396.75
PINMILL CORNER		248.00	285.20
PINMILL FAIR END	750mm o/l length	381.00	438.15
PLETTENBERG	1,000m	417.00	479.55
PLETTENBERG CORNER		259.00	297.85
PLETTENBERG FAIR END	745mm o/l	456.00	524.40
RESIDENCY 200 Plain	1,220m	293.00	336.95
RESIDENCY 200 Throated	1,220m	379.00	435.85
RESIDENCY 200 Throated CORNER	360 x 360mm	259.00	297.85
RESIDENCY 200 Throated FAIR END	1,220m	512.00	588.80
RESIDENCY 200 SWEEPDOWN	610mm	407.00	468.05

